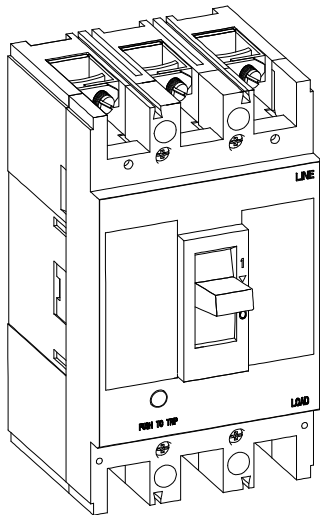
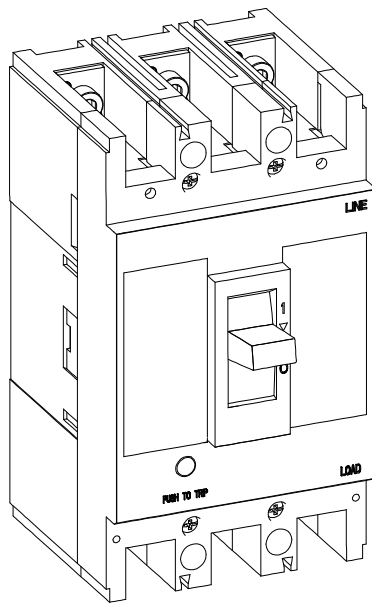


## MY series moulded case circuit breaker

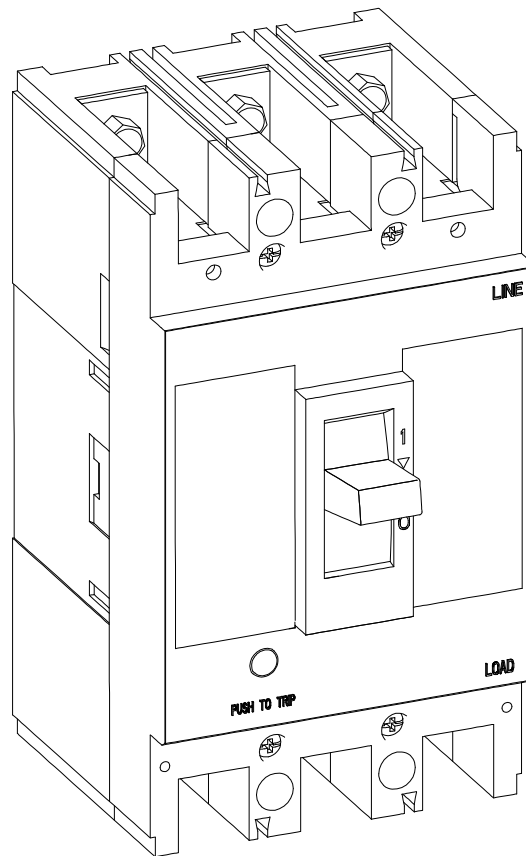
The manufacturer assumes no responsibility for damages resulting from the non-application or incorrect application of the instruction provided herein



MY1-AF types



MY2-AF types



MY3-AF types

Thermal current  $I_r$  fixed and short circuit current  $I_i$  fixed at  $10 \times I_r$

### **MY.1-AF:**

$I_r$ : 25...125A

### **MY.2-AF:**

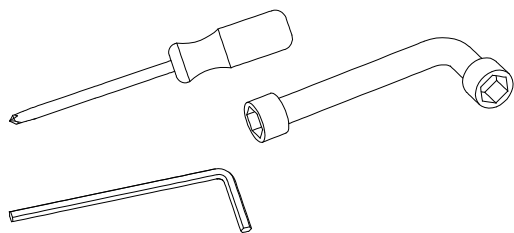
$I_r$ : 160, 200, 250A

### **MY.3-AF:**

$I_r$ : 315, 400A

### Tools:

Phillips screwdriver  
Hex wrench  
Hex key



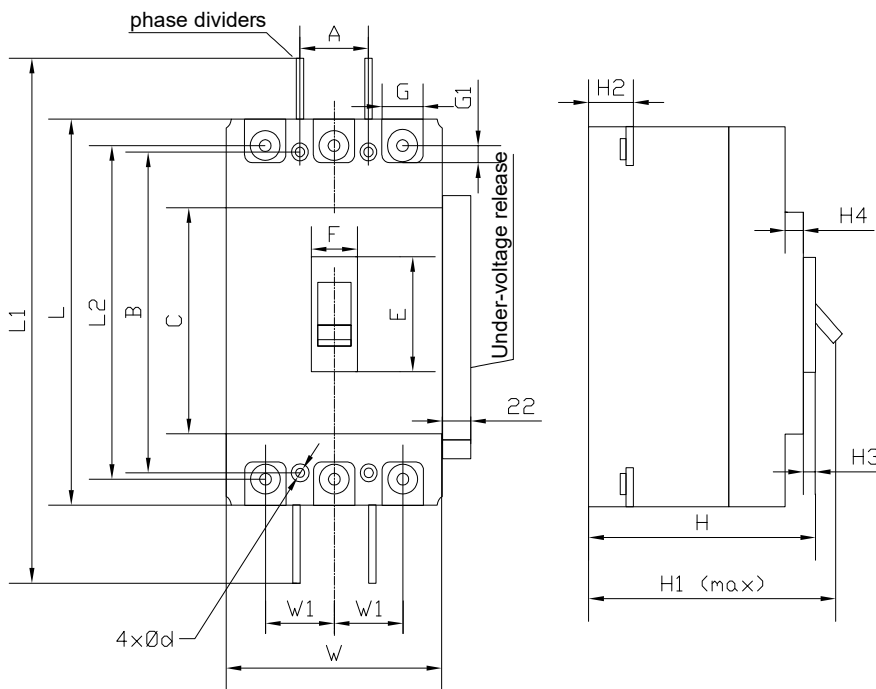
		Fixing	Terminals
Type	Poles		
	MY1	3P	4(M4x45)
MY2	3P	4(M4x45)	6(M8x16)
MY3	3P	4(M6x75)	6(M10x30)

**SCHRACK TECHNIK GMBH**

Seybelgasse 13, A - 1230 Wien, TELEFON +43 1/866 85-0

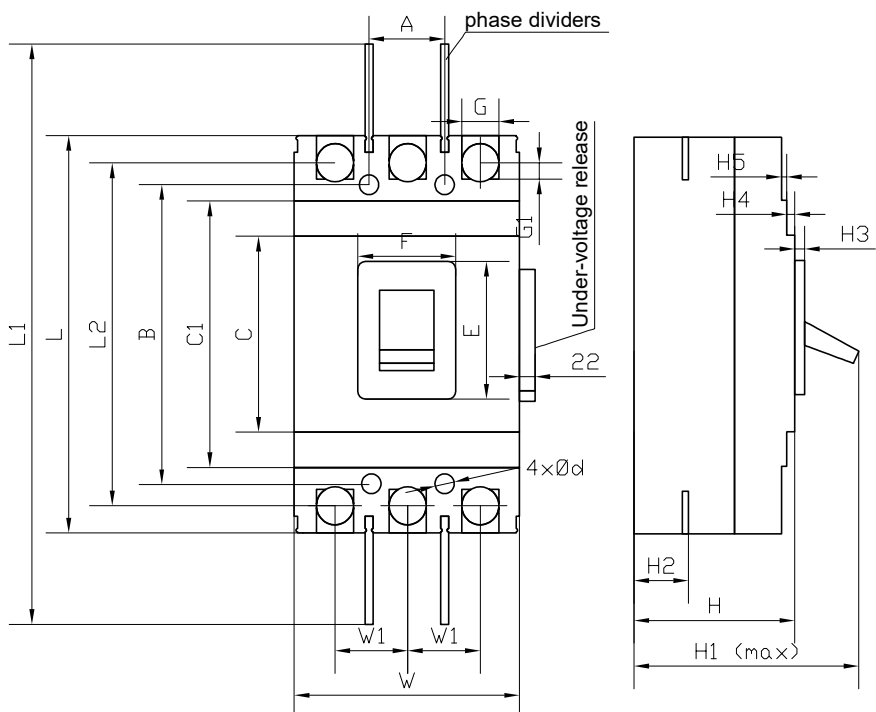
E-MAIL [info@schrack.com](mailto:info@schrack.com), INTERNET [www.schrack.at](http://www.schrack.at)

# Dimensions of Circuit breaker MY1, MY2



Dimension	MY1	MY2	
Overall dimensions	C	85	102
	E	51	51
	F	23	23
	G	17,5	23
	G1	7,5	11,5
	H	67	103,5
	H1	86	127
	H2	25	24
	H3	5	5
	H4	7	5
	L	155	165
	L1	255	360
	L2	136	144
Mounting dimensions	W	90	105
	W1	30	35
	W2	-	140
	W3	-	75
A	30	35	
B	130,5	126	
Ød	4,5x6	5	

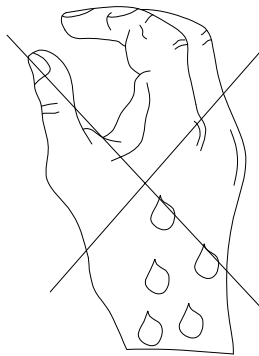
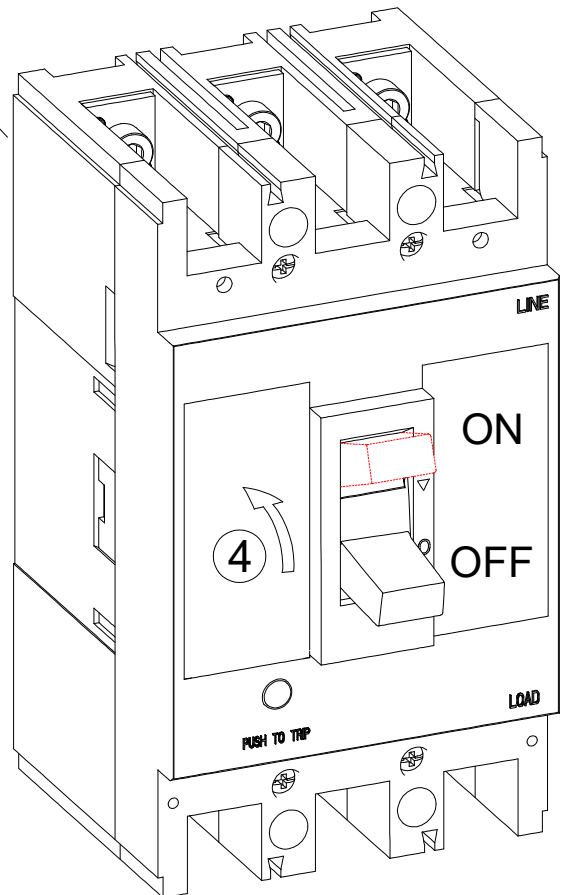
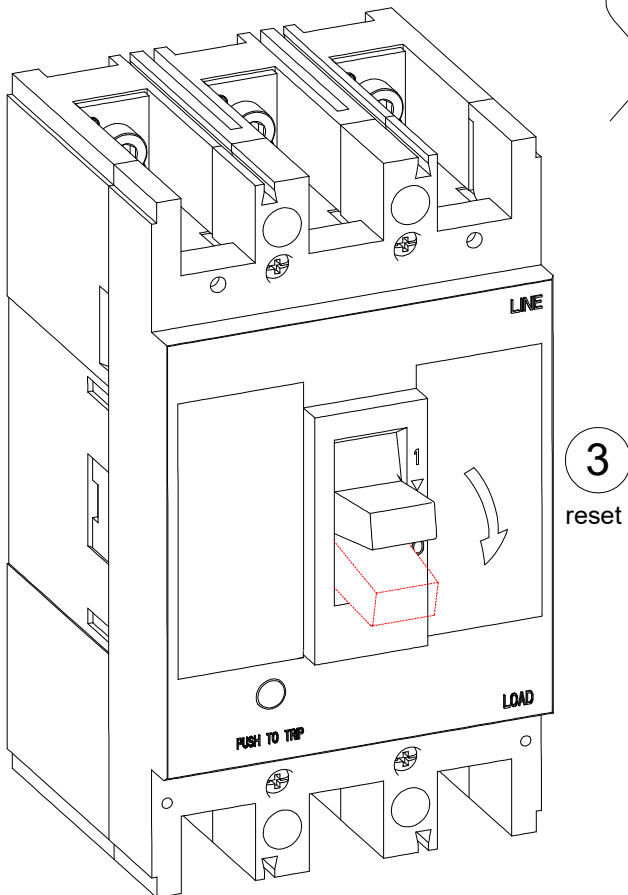
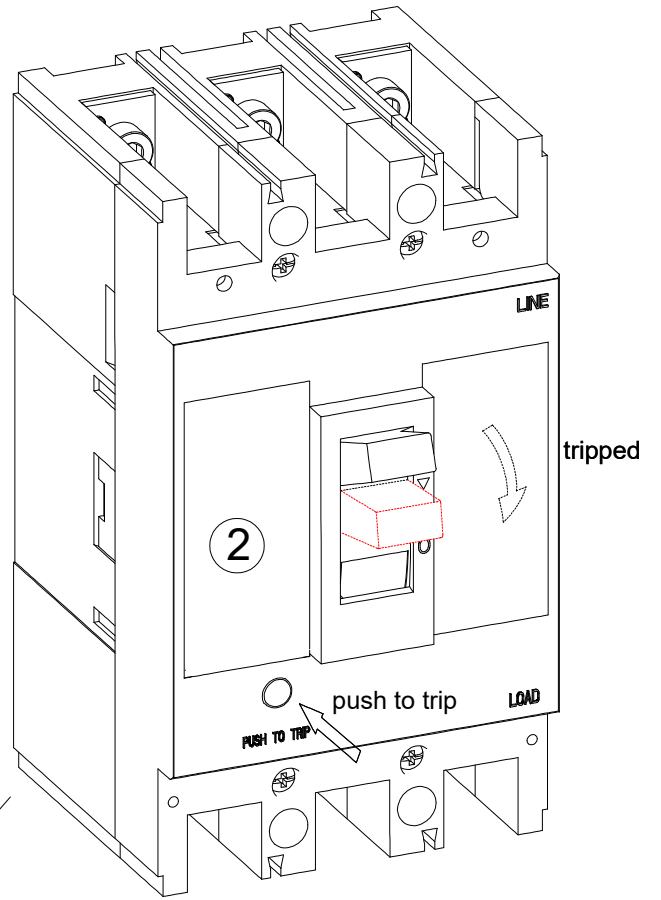
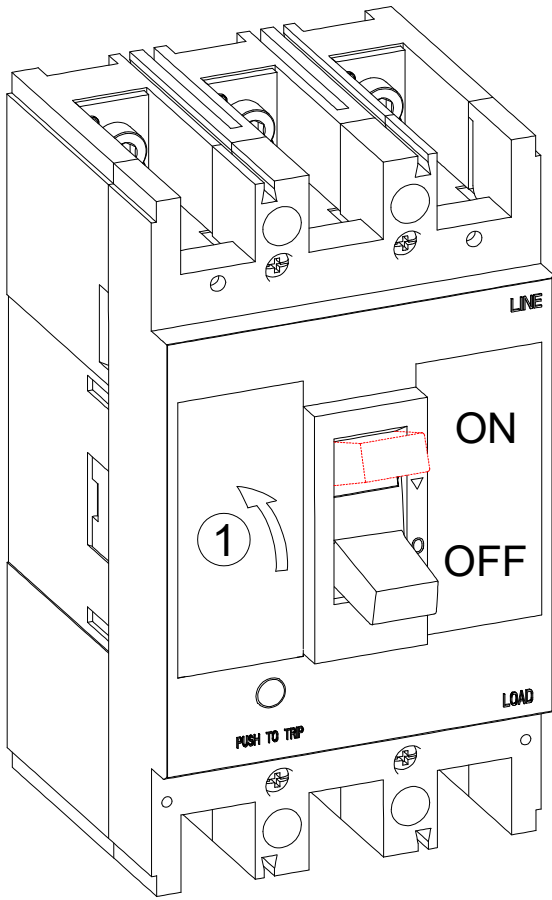
# Dimensions of Circuit breaker MY3



Dimension	MY3	
Overall dimensions	C	128
	C1	174
	E	89
	F	66
	G	31
	G1	12
	H	107
	H1	162
	H2	38
	H3	6
	H4	5
	H5	4,5
	L	257
	L1	459
	L2	224
Mounting dimensions	W	150
	W1	48
	A	44
	B	194
Ød	7	

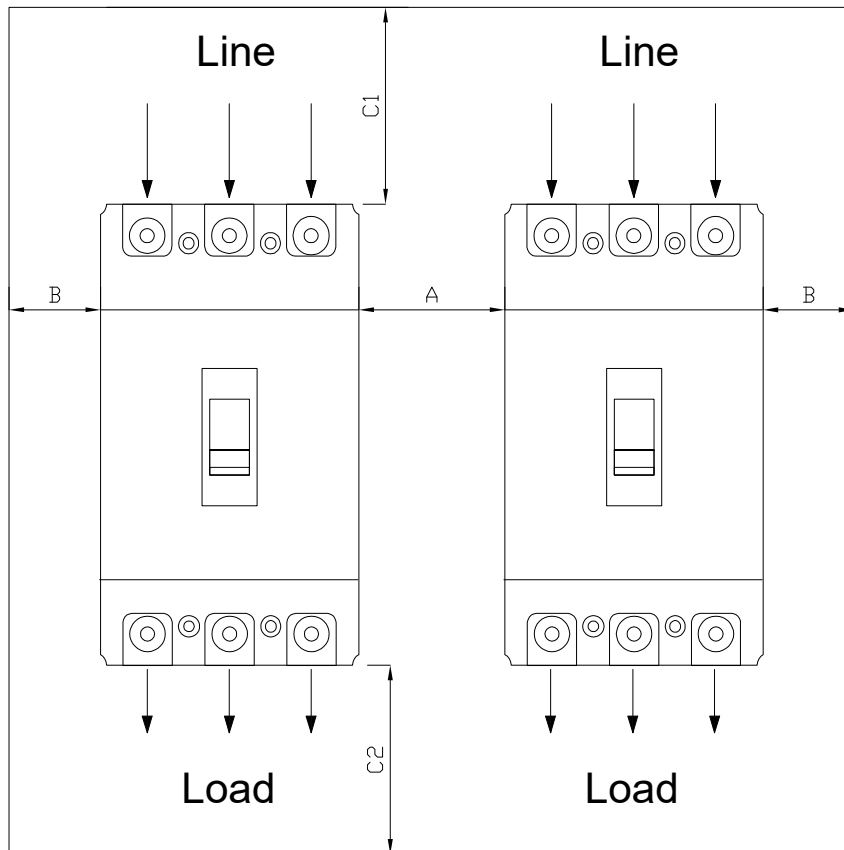
# Operation of circuit breaker

Danger: Do not operate circuit breaker with wet hands



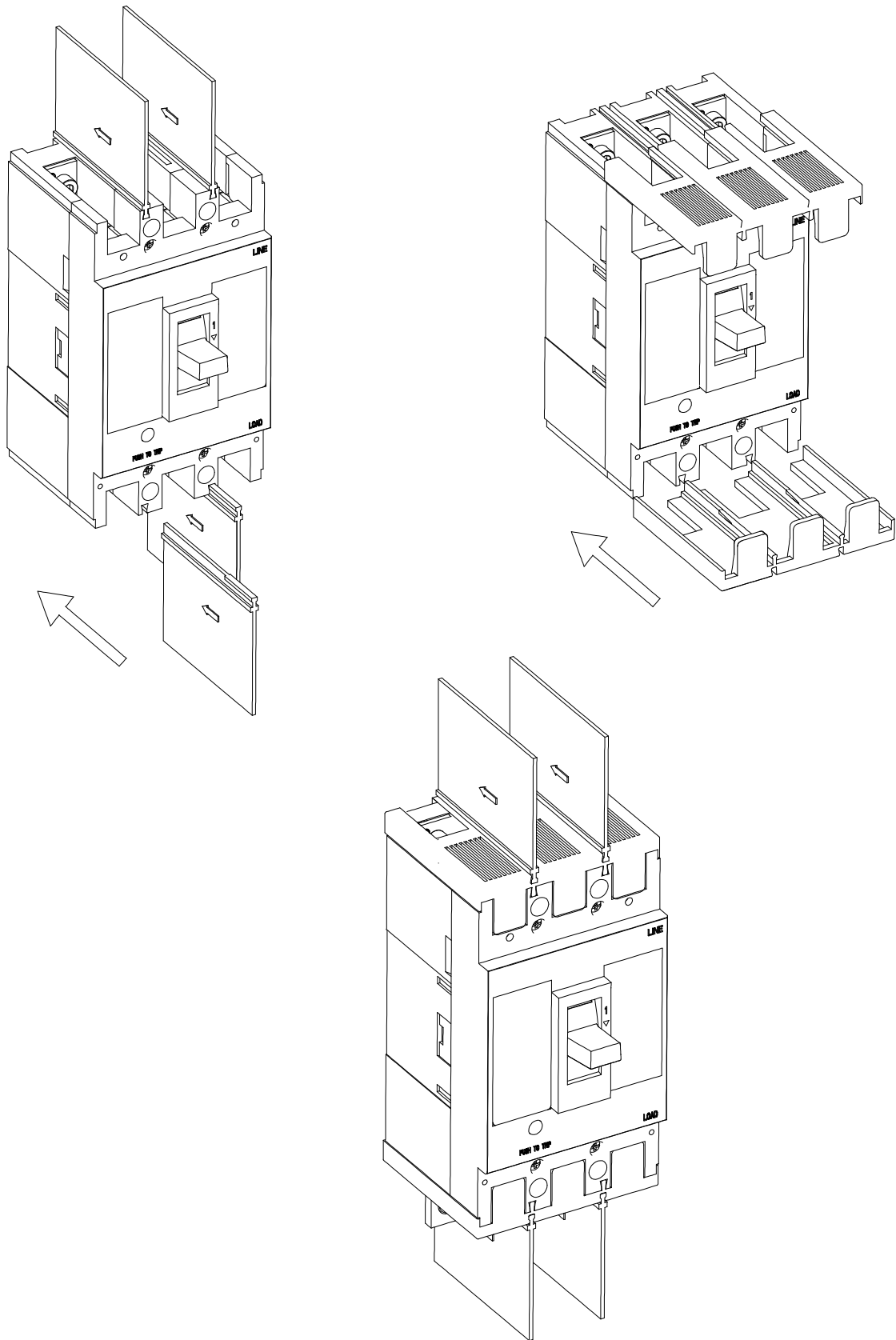
# Connection and safe distances

Note: Only one Line-Load feed direction is allowed (see drawing).



Circuit Breaker	A	B	Distance to surrounding parts	
			C1	C2
MY1	25	25	50	20
MY2	25	25	50	20
MY3	25	25	100	20

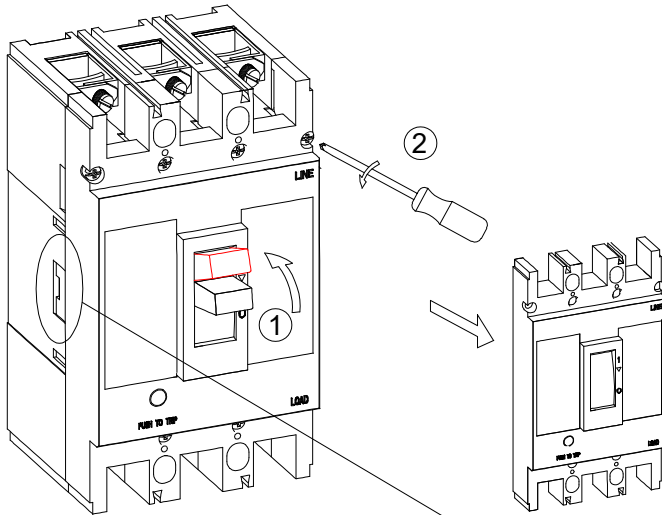
# Installation of phase dividers and cover



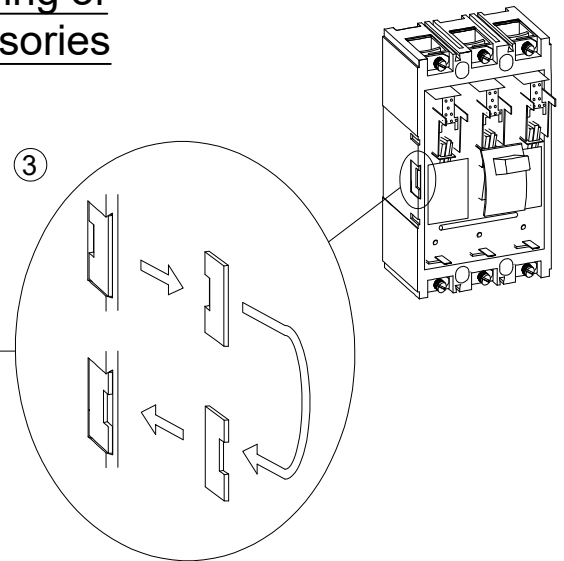
# Internal Accessories & Installation MY1

For mounting accessories, switch MCCB in position "ON" ①, then remove cover ②

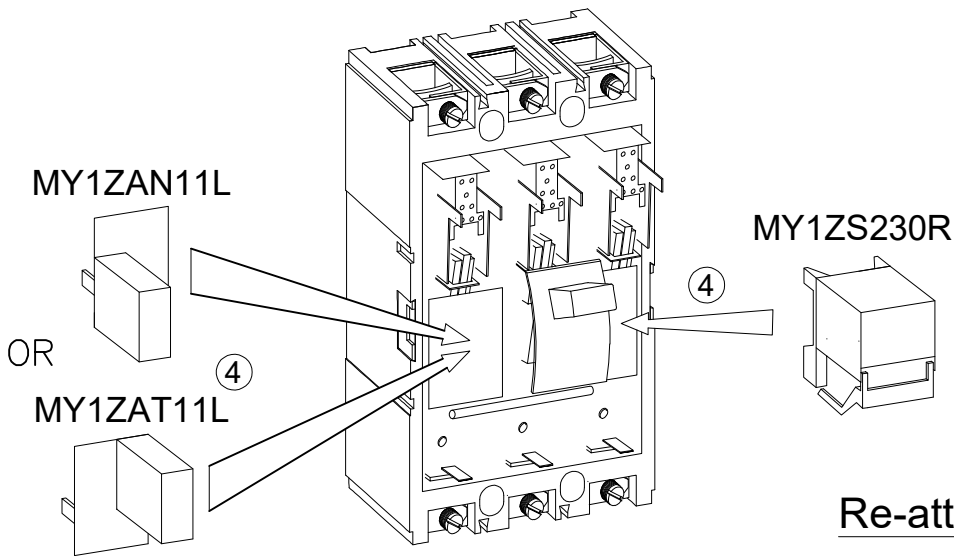
MY1ZAN11L	Auxiliary Contact "normal" left
MY1ZAT11L	Auxiliary Contact "tripped" left
MY1ZS230R	Shunt Release right



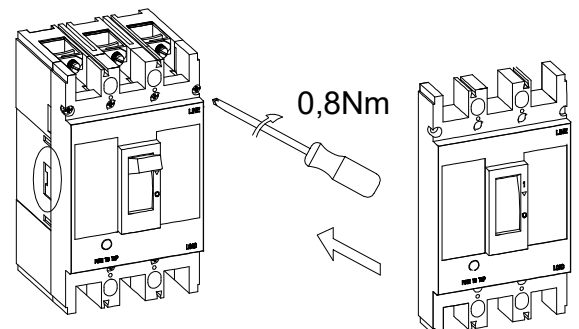
Pull out baffle plate at corresponding side and turn as shown ③ to enable free access for wiring of accessories



Plug in accessories ④:  
Note: Maximum accessories - one left and one right can be mounted



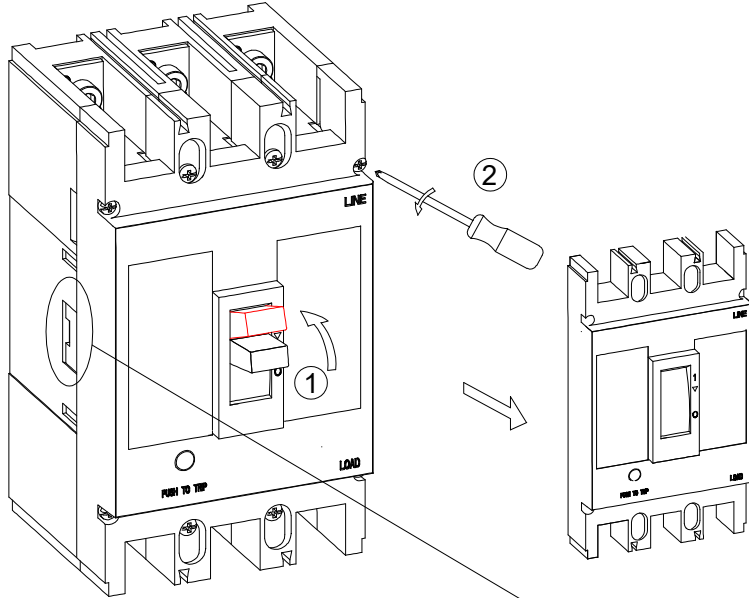
Re-attach cover ⑤



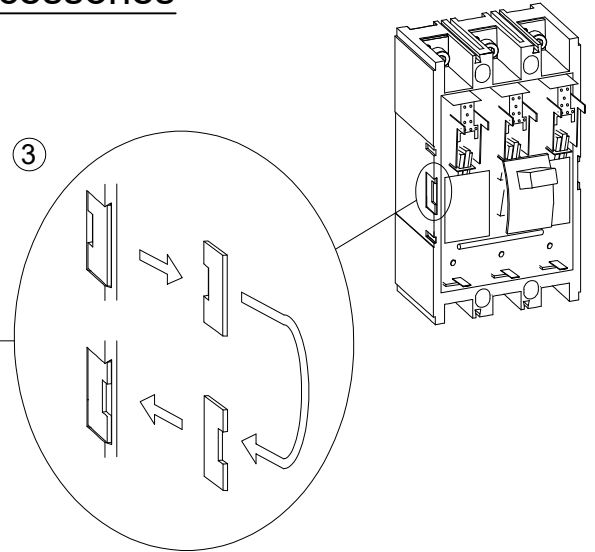
# Internal Accessories & Installation MY2

For mounting accessories, switch MCCB in position "ON" ①, then remove cover ②

MY2ZAN11L	Auxiliary Contact "normal" left
MY2ZAT11L	Auxiliary Contact "tripped" left
MY2ZS230R	Shunt Release right

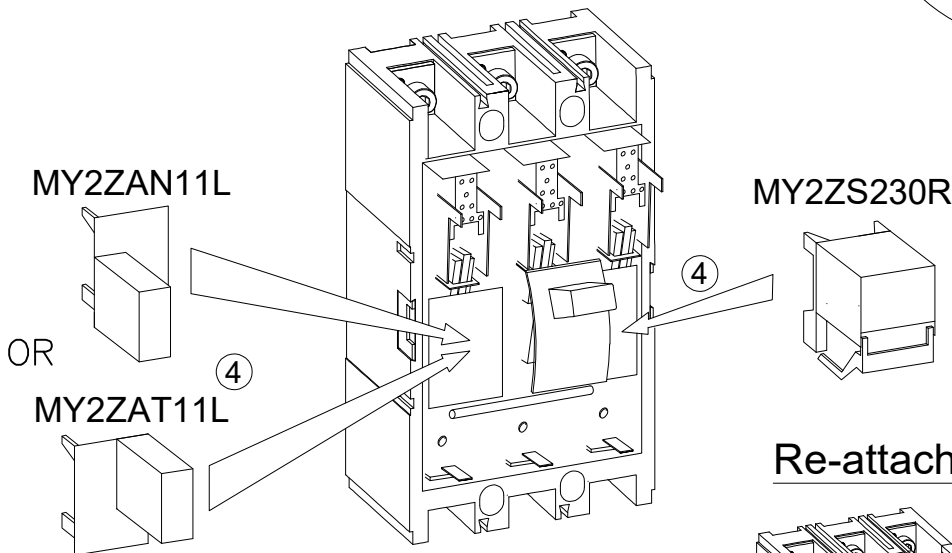


Pull out baffle plate at corresponding side and turn as shown ③ to enable free access for wiring of accessories

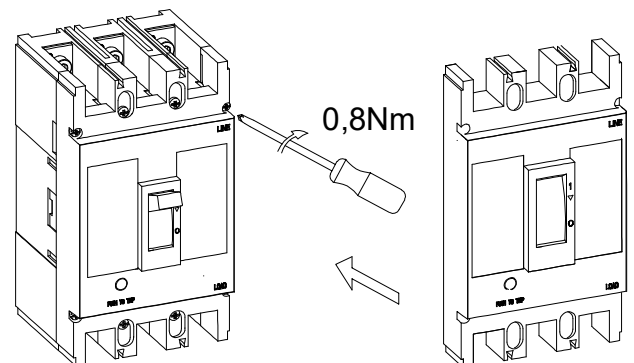


Plug in accessories ④:

Note: Maximum accessories - one left and one right can be mounted

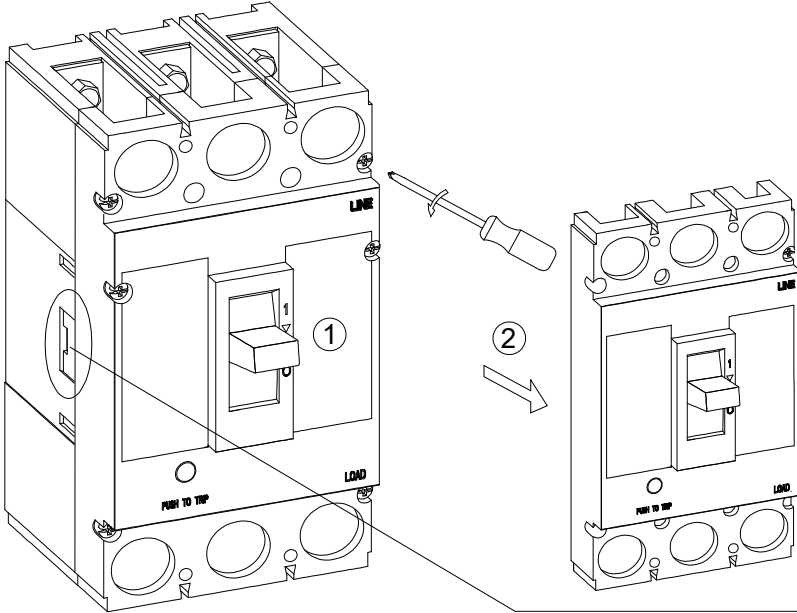


Re-attach cover ⑤



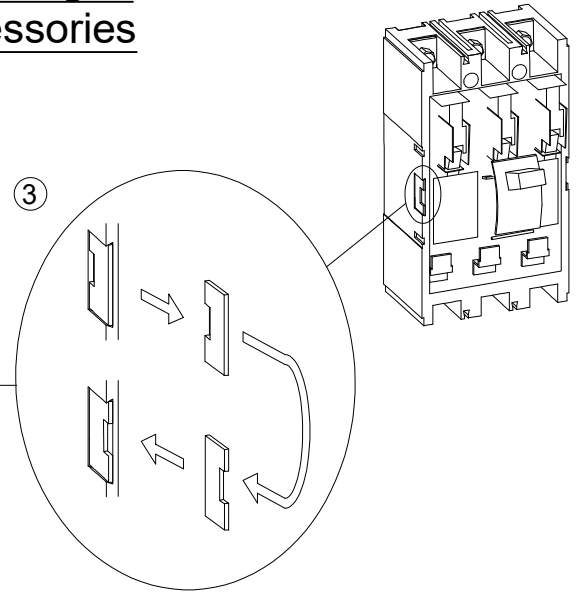
# Internal Accessories & Installation MY3

For mounting accessories, switch MCCB in position "tripped" ①, then remove cover ②



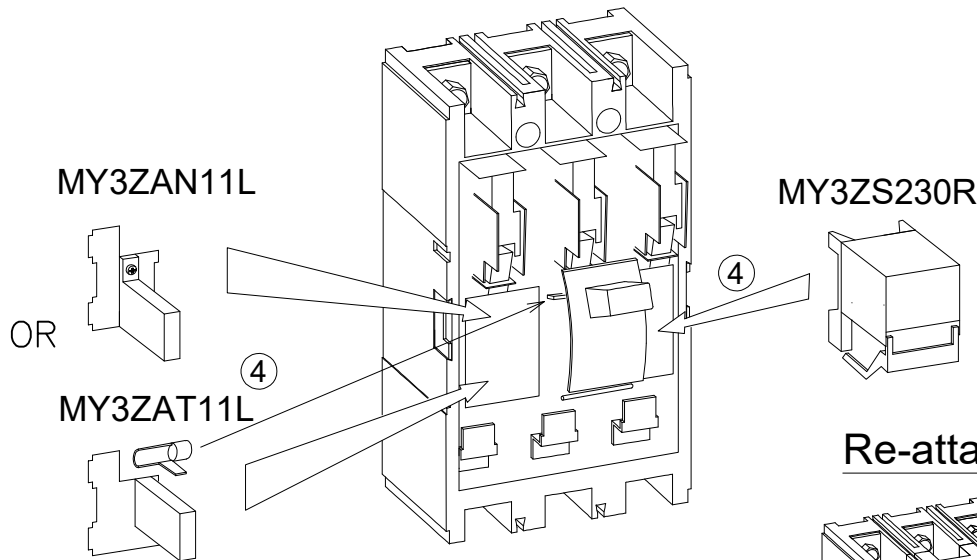
MY3ZAN11L	Auxiliary Contact "normal" left
MY3ZAT11L	Auxiliary Contact "tripped" left
MY3ZS230R	Shunt Release right

Pull out baffle plate at corresponding side and turn as shown ③ to enable free access for wiring of accessories



Plug in accessories ④:

Note: Maximum accessories - one left and one right can be mounted



Re-attach cover ⑤

