

## DATA SHEET: TIMERS ZR5E0011



### SCHRACK-INFO

- Wide input voltage range
- 1 change over contact
- Width 17,5 mm
- Installation design

### TECHNICAL DATA

#### 1. Functions

The function has to be set before connecting the relay to the supply voltage.

E ON delay

#### 2. Time ranges

Time range	Adjustment range
1 s	50 ms
10 s	500 ms
1 min	3 s
10 min	30 s
1 h	3 min
10 h	30 min
100 h	5 h

#### 3. Indicators

Green LED U/t ON: indication of supply voltage  
 Green LED U/t flashes: indication of time period  
 Yellow LED R ON/OFF: indication of relay outputs

#### 4. Mechanical design

Self-extinguishing plastic housing, IP rating IP40  
 Mounted on DIN-rail TS 35 according to EN 50022  
 Mounting position: any  
 Shockproof terminal connection according to VBG 4 (PZ1 required), IP rating IP20  
 Tightening torque: max. 1 Nm  
 Terminal capacity:

- 1 x 0.5 to 2.5 mm<sup>2</sup> with/without multicore cable end
- 1 x 4 mm<sup>2</sup> without multicore cable end
- 2 x 0.5 to 1.5 mm<sup>2</sup> with/without multicore cable end
- 2 x 2.5 mm<sup>2</sup> flexible without multicore cable end

#### 5. Input circuit

Supply voltage: Terminals A1(+)-A2  
 Types ZR5..24-240 V AC/DC: 24 to 240 V AC/DC  
 Tolerance: 24 V-15% to 240 V+10%  
 Rated consumption: 4 VA (1.5 W)  
 Rated frequency: AC 48 to 63 Hz  
 Duty cycle: 100%  
 Reset time: 100 ms  
 Residual ripple for DC: 10%  
 Drop-out voltage: >30% of minimum rated supply voltage  
 Overvoltage category: III (according to IEC 60664-1)  
 Rated surge voltage: 4 kV

#### 6. Output circuit

1 potential free change over contact  
 Rated voltage: 250 V AC  
 Switching capacity: 2000 VA (8 A / 250V)  
 Fusing: 8 A fast acting  
 Mechanical life: 20 x 10<sup>6</sup> operations  
 Electrical life: 2 x 10<sup>5</sup> operations  
 at 1000 VA resistive load  
 max. 60/min at 100 VA resistive load  
 max. 6/min at 1000 VA resistive load  
 (according to IEC 947-5-1)  
 Overvoltage category: III. (according to IEC 60664-1)  
 Rated surge voltage: 4 kV

#### 7. Control input

Input not potential free: Terminals A1-B1  
 Loadable: yes  
 Max. line length: 10m  
 Trigger level (sensitivity): automatic adaption to supply voltage  
 Min. control pulse length: DC 50 ms / AC 100 ms

#### 8. Accuracy

Base accuracy: ±1% of maximum scale value  
 Adjustment accuracy: <5% of maximum scale value  
 Repetition accuracy: <0.5% or ±5 ms  
 Voltage influence: -  
 Temperature influence: ≤0.01% / °C

#### 9. Ambient conditions

Ambient temperature: -25 to +55 °C  
 (according to IEC 68-1)  
 Storage temperature: -25 to +70 °C  
 Transport temperature: -25 to +70 °C  
 Relative humidity: 15% to 85%  
 (according to IEC 721-3-3 class 3K3)  
 Pollution degree: 2, if built in 3  
 (according to IEC 664-1)  
 Vibration resistance: 10 to 55 Hz 0.35 mm  
 (according to IEC 68-2-6)  
 Shock resistance: 15 g 11 ms  
 (according to IEC 68-2-27)

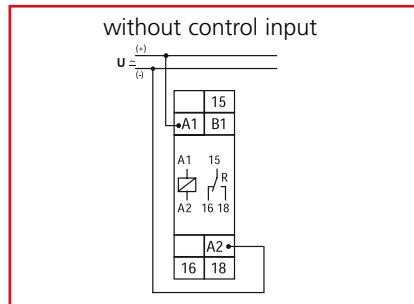
## FUNCTIONS

### ON delay (E)

When the supply voltage U is applied, the set interval t begins (green LED U/t flashes). After the interval t has expired (green LED U/t illuminated) the output relay R switches into on-position (yellow LED illuminated). This status remains until the supply voltage is interrupted. If the supply voltage is interrupted before the expiry of the interval t, the interval already expired is erased and is restarted when the supply voltage is next applied.



## CONNECTIONS



## WEIGHT

Single packing: 72 g  
Package 10 pcs: 670 g per Package

## ARTICLE NUMBER

DESCRIPTION	ORDER NO.
Single function timerelay E (ON delay), 24-240VAC, 1 change over, 8A/250V	ZR5E0011

## DIMENSIONS

