

Timers for Staircase Lighting



BZ327350

Schrack-Info

Staircase timers TIMON, VOWA, BZ

Timers for Staircase Lighting series TIMON



BZ327210-A

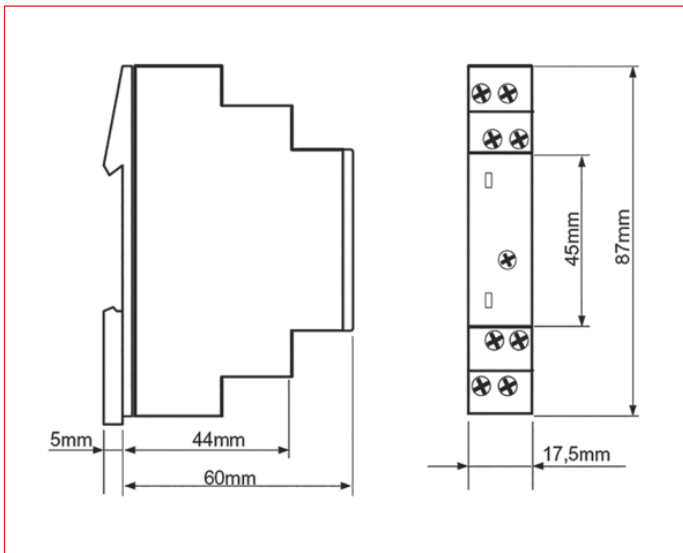
Schrack-Info

- Energy saving function
- Time range 0.5 to 30 minutes
- Low switching noise
- High switching capacity, 80 A peak inrush power
- Automatic 3-/4-conductor detection
- Glow lamp load up to 100 mA
- Width 17.5 mm
- Installation design

FEATURES

Electronic staircase lighting timer with restart function (complies with EN 60669-2-3). The control input allows the connection of pushbuttons with up to 100 mA glow lamp load and enables the application in 3- or 4-wire circuits. After an ON duration of about 5 seconds, a long keypress (>2 s) will switch off the unit (energy saving function).

Dimensions

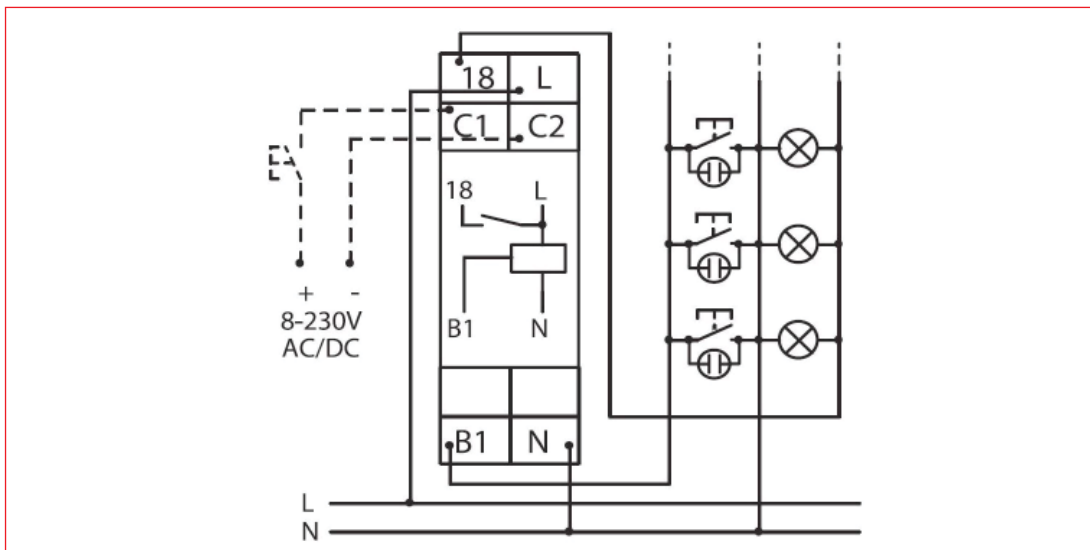


Timers for Staircase Lighting series TIMON

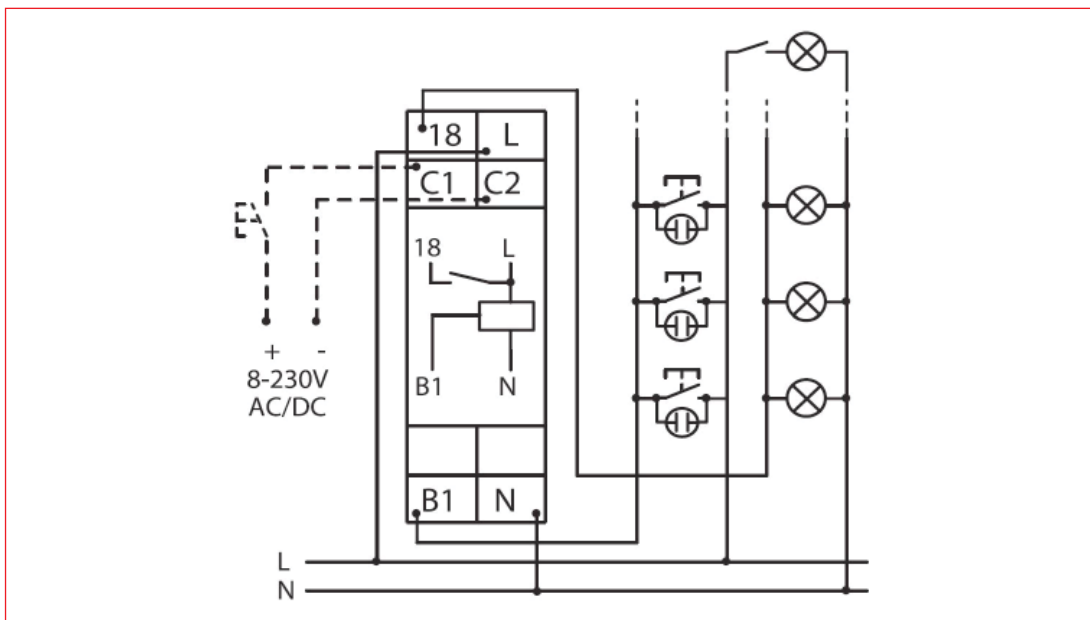
Time ranges and standards:	
Delay	Adjustment range 0.5 - 30 min, with restart function (complies with EN 60669-2-3)
Standards	EN 55011, EN61000-6-2, EN 61812-1
Indicators:	
Green LED ON	Indication of supply voltage
Yellow LED ON/OFF	Position of output relay
Input circuit:	
Supply voltage	Terminals L - N
Nominal voltage	230V-AC
Tolerance	-15% to +10%
Rated consumption	2VA (1,0W)
Nominal frequency	48 up to 63 Hz
Duty cycle	100%
Reset time	after 500 ms
Drop-out voltage	>30%
Overvoltage category	III (according to IEC 60664-1)
Rated surge voltage 4 kV	4kV
Output:	
1 normally open contact Terminals	L - 18
Rated voltage	250V-AC
Switching capacity (distance <5mm):	10 A continuous current
Switching capacity (distance >5mm):	16 A continuous current
Start-up peak (20 ms)	80 A
Mechanical life	30 x 10 ⁶ operations
Electrical life	Resistive load: 10 ⁵ operations at 16 A 250 V
	Lamp load: 80000 operations at 1000W 250V
Control input B1:	
Connection not potential-free	Pushbutton B1-N (3-conductor circuit) Pushbutton B1-L (4-conductor circuit)
Glow lamp load	Max. 100 mA parallel to the pushbuttons
Overload protection	Electronic
Accuracy:	
Base accuracy	±5% of maximum scale value
Adjustment accuracy	<15% of maximum scale value
Repetition accuracy	<2%
Temperature influence	≤1%
Ambient conditions:	
Ambient temperature	-25 to + 55 °C (complies with IEC 68-1)
Relative humidity	15% to 85% (according to IEC 60721-3-3 class 3K3)
Pollution degree	2, when built-in 3 (according to IEC 60664-1)
Mechanical Design:	
Housing	Made of self-extinguishing plastic, IP rating IP40
Mounting	on DIN rail TS 35 according to EN 60715
Shockproof terminal connection according to VBG 4 (PZ1 required)	IP rating IP20
Terminals:	
Terminal capacity	1 x 0.5 to 2.5 mm ² with/without multicore cable end
	2 x 0.5 to 1.5 mm ² with/without multicore cable end
	1 x 4 mm ² without multicore cable end
	2 x 2.5 mm ² flexible without multicore cable end
Tightening torque	Max 1 Nm


Timers for Staircase Lighting series TIMON

Wiring diagram 3-wire circuit



Wiring diagram 4-wire circuit



DESCRIPTION	AVAILABLE	ORDER NO.
Staircase Timer TIMON, 1-30min, 16A		BZ327210-A